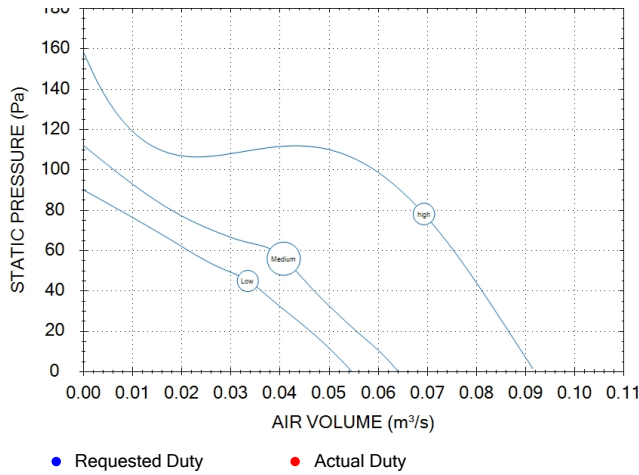


## Performance Chart



**17105010**

Tech Ref File:  
 Stock Reference: 17105010  
 Product Description: ACM125  
 Product Type: Ventilation  
 Product Range: In-Line Fans  
 Impeller: Mixed Flow  
 Casing: ABS thermoplastic  
 Speed: 2400 rpm  
 Airstream Temperature: -30°C to 50°C  
 dBA: 25  
 Specific Fan Power & dB(A) shown are at duty point.

Warranty: 2 Years

## Electrical Information

Watts: 30  
 Supply Voltage: 220-240V/1/50Hz  
 Full Load Current: 0.12 A  
 Motor Poles: 2  
 Insulation: B  
 Motor IP Rating: IP44  
 S.T.O.P. Protection: Yes  
 Speed Controllable: Yes

## Acoustic Information

	63	125	250	500	1k	2k	4k	8k	Total	dBA@3m
<b>Inlet</b>	36	47	53	58	55	53	47	39	62	39
<b>Outlet</b>	36	47	51	54	55	50	46	37	60	38
<b>Breakout</b>	32	33	38	41	41	40	33	23	47	25

Sound Power Level Spectra dB (re 10<sup>-12</sup> Watts)

For ducted units, sound power is given as In Duct with end reflections added.

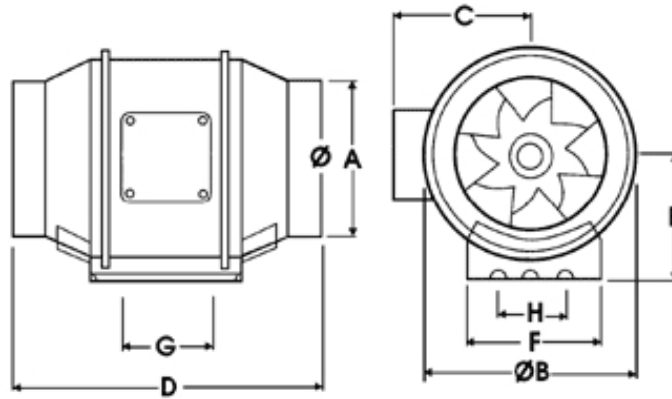
Stated dB(A) levels at 3m with spherical propagation at a reference level of 2 x 10<sup>-12</sup> Pa

## Optional Accessories

Part No	Description
W300310	Electronic 1.5A Controller
10314103	3 AMP SINGLE PHASE CONTRO
FLX125	FLEXIBLE CONNECTOR

Part No	Description
400144	FLUSH FITTING METAL MOUNT

## Dimensions



A $\varnothing$	B $\varnothing$	C	D	E	F	G	H
122	178	124	259	96	168	120	153.5

Dimensions shown in mm  
 Weights in kg