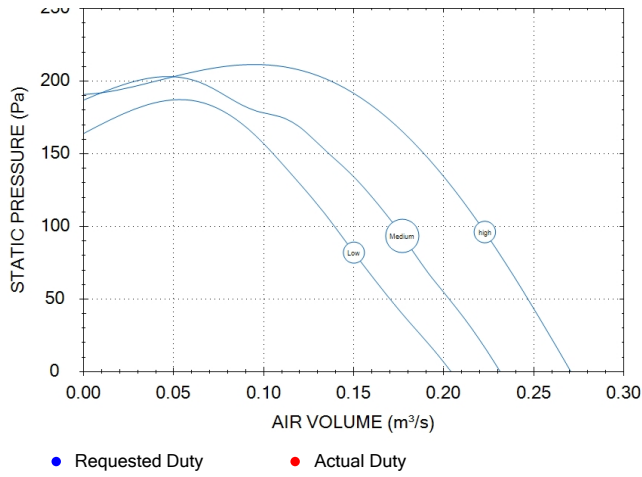


Performance Chart



17108010

Tech Ref File:
 Stock Reference: 17108010
 Product Description: ACM200
 Product Type: Ventilation
 Product Range: In-Line Fans
 Impeller: Mixed Flow
 Casing: ABS thermoplastic
 Speed: 2350 rpm
 Airstream Temperature: -30°C to 50°C
 dBA: 42
 Specific Fan Power & dB(A) shown are at duty point.

Warranty: 2 Years

Electrical Information

Watts: 110
 Supply Voltage: 220-240V/1/50Hz
 Full Load Current: 0.55 A
 Motor Poles: 2
 Insulation: B
 Motor IP Rating: IP44
 S.T.O.P. Protection: Yes
 Speed Controllable: Yes

Acoustic Information

	63	125	250	500	1k	2k	4k	8k	Total	dBA@3m
Inlet	46	52	54	60	61	63	60	49	68	47
Outlet	63	68	69	73	70	69	62	54	77	55
Breakout	38	53	47	47	56	60	44	33	62	42

Sound Power Level Spectra dB (re 10^{-12} Watts)

For ducted units, sound power is given as In Duct with end reflections added.

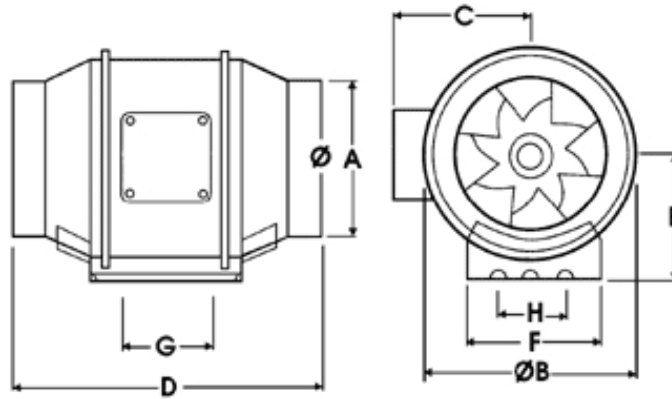
Stated dB(A) levels at 3m with spherical propagation at a reference level of 2×10^{-12} Pa

Optional Accessories

Part No	Description
W300310	Electronic 1.5A Controller
10314103	3 AMP SINGLE PHASE CONTRO
FLX200	FLEXIBLE CONNECTOR

Part No	Description
400144	FLUSH FITTING METAL MOUNT

Dimensions



A \varnothing	B \varnothing	C	D	E	F	G	H
199.5	223	146	300	130	195	100	180

Dimensions
 shown in mm
 Weights in kg