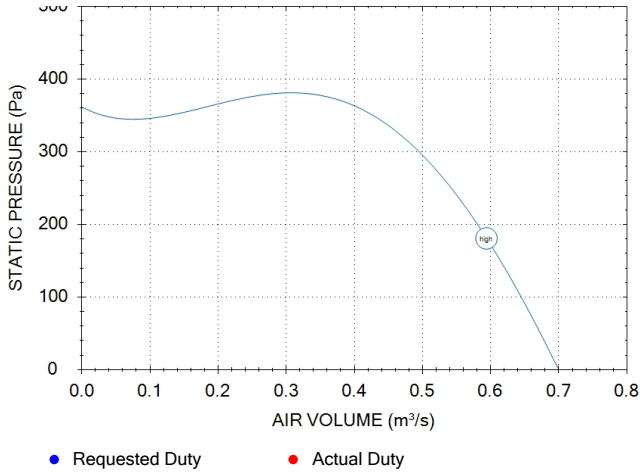


## Performance Chart



17112010

Tech Ref File:  
 Stock Reference: 17112010  
 Product Description: ACM315  
 Product Type: Ventilation  
 Product Range: In-Line Fans  
 Impeller: Mixed Flow  
 Casing: Galvanised sheet metal  
 Speed: 2840 rpm  
 Airstream Temperature: -5°C to 40°C  
 dBA: 34  
 Specific Fan Power & dB(A) shown are at duty point.

Warranty: 2 Years

## Electrical Information

Supply Voltage: 220-240V/1/50Hz  
 Full Load Current: 1.6 A  
 Starting Current: 1.2 A  
 Motor Poles: 2  
 Motor IP Rating: IP54  
 Speed Controllable: Yes

## Acoustic Information

	63	125	250	500	1k	2k	4k	8k	Total	dBA@3m
<b>Inlet</b>	-	45	60	66	68	69	67	56	74	54
<b>Outlet</b>	-	47	69	71	72	72	66	67	78	57
<b>Breakout</b>	-	38	41	46	50	49	46	41	55	34

Sound Power Level Spectra dB (re  $10^{-12}$  Watts)

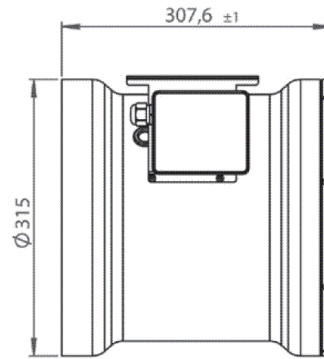
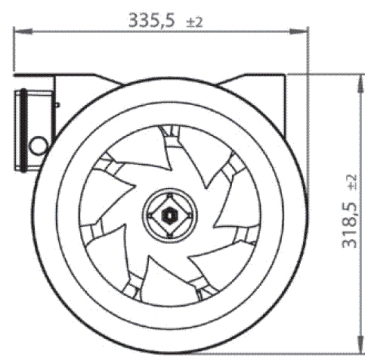
For ducted units, sound power is given as In Duct with end reflections added.

Stated dB(A) levels at 3m with spherical propagation at a reference level of  $2 \times 10^{-12}$  Pa

## Optional Accessories

Part No	Description
10314103	3 AMP SINGLE PHASE CONTRO

## Dimensions



A	B	C	D	E	F	G	H
310	335	220	455	190	210	182	178

Dimensions  
shown in mm  
Weights in kg