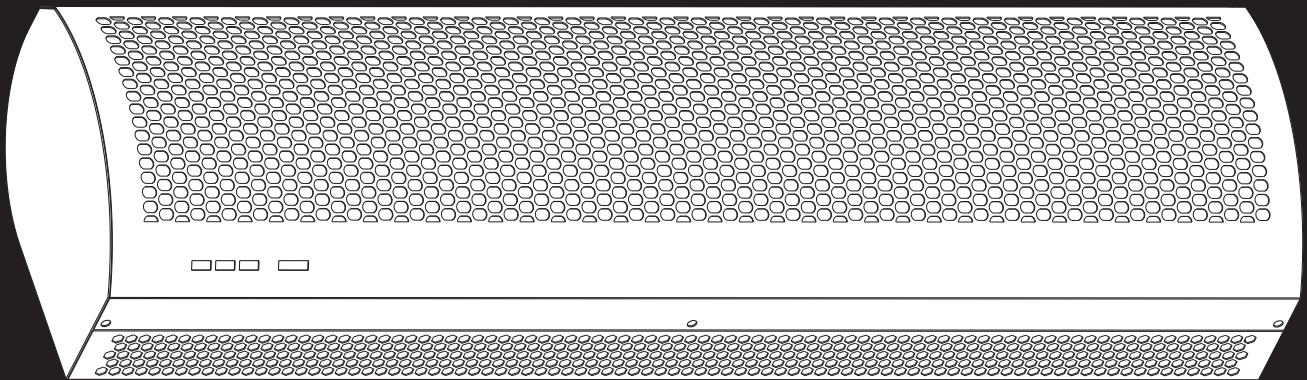


# devola

Comfortable living everyday

## Instruction Manual



# Devola Platinum 4kW PTC Air Curtain

DVSH40WH



[devola.co.uk](http://devola.co.uk)

# CONTENTS

1. PRODUCT INTRODUCTION .....	1
2. INSTALLATION PLANNING &CAUTIONS .....	1
3. TECHNICAL PARAMETER .....	2
4. WIRING DIAGRAM.....	3
5. OPERATING INSTRUCTIONS.....	3
6. MAINTENANCE AND CLEANING .....	4

## 1. PRODUCT INTRODUCTION

Air curtains are widely installed at the entrances of a supermarket, theater, meeting room, hotel, office room or storage room etc. They can reduce presence of insects, outside dust and unconditioned air into a conditioned space by forcing an air stream over the entire entrance to create a comfortable environment for you.

## 2. INSTALLATION PLANNING & CAUTIONS

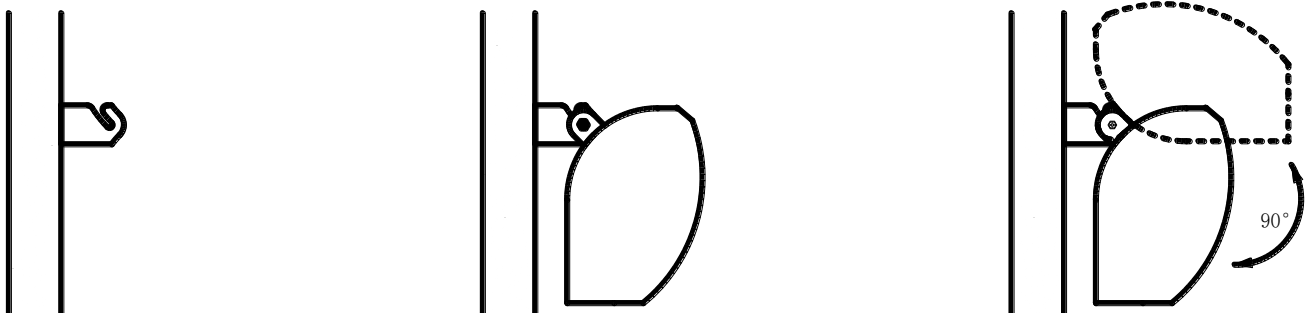
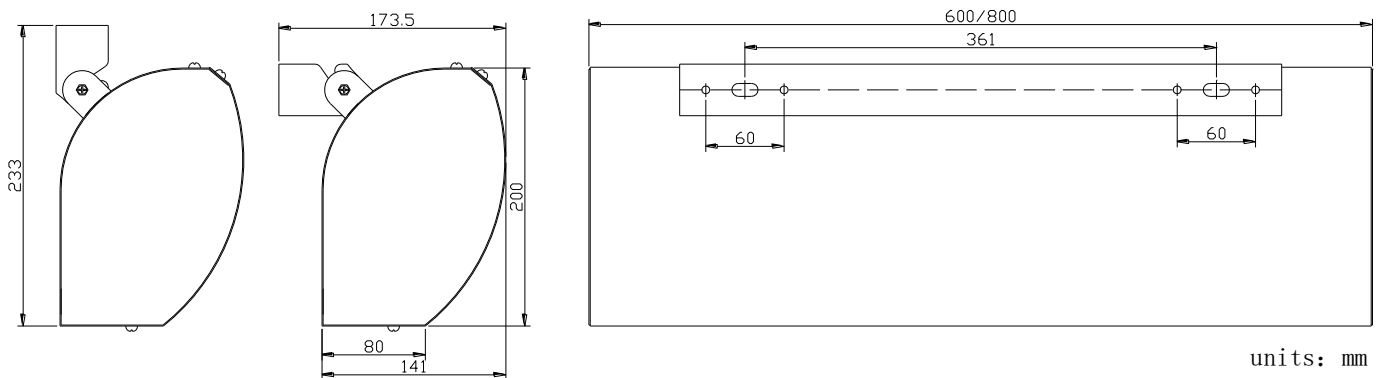
**⚠ WARNING – TO REDUCE THE RISK OF FIRE, ELECTRIC SHOCK, OR INJURY TO PERSONS, READ THE FOLLOWING INSTRUCTIONS CAREFULLY before attempting to assemble, install, operate, or maintain the product.**

It is pertinent that the following instructions are observed when installing the air curtain:

**2.1 Please ensure the air curtain is installed over the door indoors.**

**2.2 Fix the installation bracket by using bolts through the main holes or by four smaller screws on either side of the main holes. Once the installation bracket is firmly fixed to the wall, the heated air curtain unit can be slotted onto the installation bracket and the bolts tightened into place. The 2 securing screws should be fitted to ensure the unit cannot be accidentally removed or knocked off.**

**NOTE: 3 air flow angles are optional.**



**2.3 When the entrance is wider than the unit, it is recommended to install two or more units in**

parallel. In this case, provide 10–40mm gaps between the units.

**2.4 Do not install the unit in a location where it will be exposed to water, excessive steam, dust / explosive gas or corrosive gas.**

**2.5 Always disconnect, lock and tag power source before installing or servicing. Failure to disconnect power source can result in fire, shock or serious injury.**

**2.6 Please ensure the unit is installed in a firm place otherwise operating the unit may cause the wall or ceiling to become loose, shake and/or make noise.**

**2.7 Verify and ensure the rated voltage and frequency (please refer to the rating label) of the air curtain is in compliance with the mains supply.**

**2.8 Do not cover the air inlet or air outlet of the air curtain when it is in operation.**

**2.9 Routine maintenance must be carried out annually.**

**2.10 Never use petrol, benzene, thinner or any other such chemical for cleaning the unit.**

**2.11 When connecting the power cord to the power supply, please make sure the distance between contacts is at least 3mm.**

**2.12 Installation work and electrical wiring must be done by qualified person(s) in accordance with all applicable codes and standards, including fire-rated construction.**

**2.13 When cutting or drilling into a wall or ceiling, do not damage electrical wiring and other hidden utilities.**

**2.14 To reduce the risk of fire or electric shock, do not use this fan with any solid-state speed control device**

**2.15 Repair and maintenance operations can only be performed by qualified personnel.**

**2.16 This appliance is not intended for use by persons (including children) with reduced physical, sensory or mental capabilities, or lack of experience and knowledge, unless they have been given supervision or instruction concerning use of the appliance by a person responsible for their safety.**

**2.17 Children should be supervised to ensure that they do not play with the appliance.**

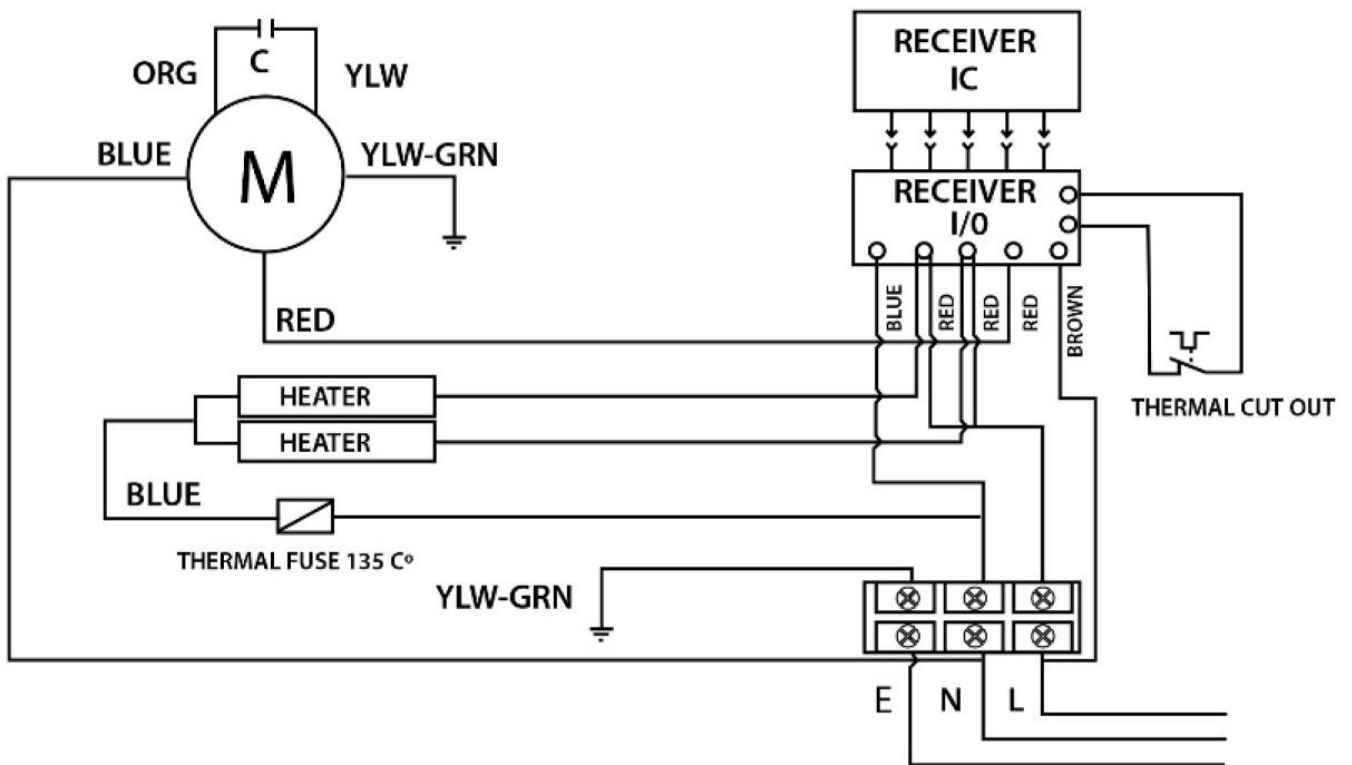
### 3. TECHNICAL PARAMETER

Model No.	Rated Voltage (V~Hz)	Motor input power(W)	Heater power L/H (KW)	Air volume (m <sup>3</sup> /h)	Air velocity (m/s)	Noise level(dB)
DVSH40WH	230~50	75	2.0/4.0	430	5	49

**The specifications are subject to change without notice due to product development.**

## 4. WIRING DIAGRAM

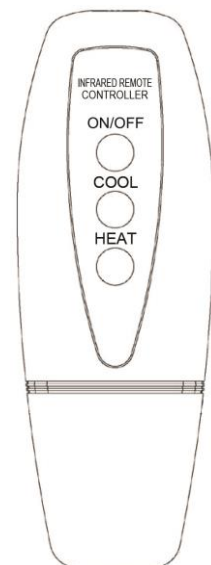
Internal wiring diagram of the air curtain:



## 5. OPERATING INSTRUCTIONS



Press the "ON/OFF" button on the remote control or on the main panel of the unit to turn on/off the unit. Press "HEAT" button to turn heater and fan on, the unit will operate initially at low heater power. Press the "HEAT" button again to increase to high heater power. Press the "COOL" button will leave the fan on and turn the heater off.



## 6. MAINTENANCE AND CLEANING

### **WARNING:**

- A. Any service is to be performed only by qualified personnel who are familiar with local codes and regulations and are experienced with this type of product.**
- B. Always unplug or disconnect the appliance from the power supply before installation, servicing or cleaning the unit.**
- C. Never use petrol, benzene, thinners or any other such chemicals for cleaning the unit.**
- D. Don't allow water or any liquid to enter the motor.**
- E. Use the unit at the rated voltage and frequency indicated on the rating label.**

- 6.1 Routine maintenance must be carried out every year. Ensure the fan wheels are well kept, and free from dust.
- 6.2 Plastic parts should be cleaned with mild soap water, thoroughly remove soap film with a clean damp cloth.
- 6.3 Dry the case with a soft dry cloth before operating the unit.
- 6.4 If any abnormality occurs during operation, turn the unit off immediately and check the problem.





## Product Registration

Register your warranty online  
within 30 days of purchase.

[www.devola.co.uk/warranty](http://www.devola.co.uk/warranty)



10% OFF

Use this discount code on your next order

**DEV10**



Scan for technical details



[devola.co.uk](http://devola.co.uk)

Unit 1, Reedswood Park Road, Walsall, West Midlands. WS2 8DQ

Helpline 0800 043 4243 Email [info@devola.co.uk](mailto:info@devola.co.uk)