

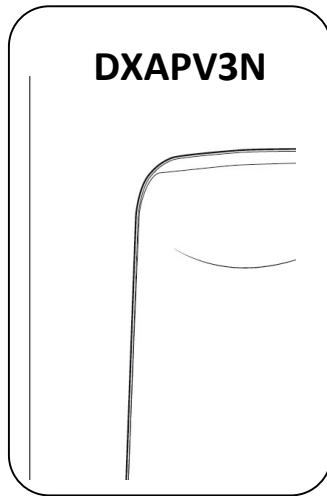
# Dimplex

**DXAPV3N**

**Air Purifier**

With

 **Enviro-neutralising Technology**



 **WARNING:**

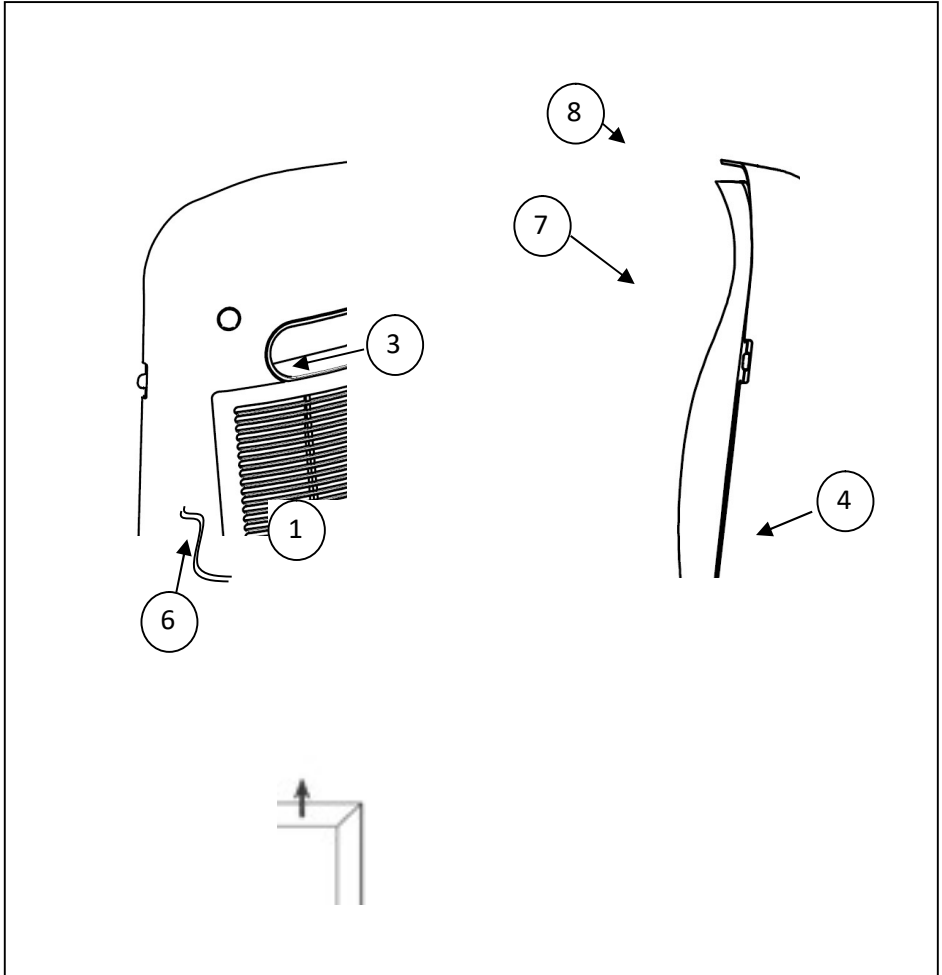
Please read before use these instructions and keep them for future reference.

## **SAFETY WARNINGS**

### **ATTENTION!**

- This unit is regarded as an “purifier for domestic environments”; any other use is to be considered inappropriate and therefore dangerous. The manufacturer cannot be held liable for any damages caused by improper, erroneous or unreasonable use.
- This appliance can be used by children aged from 8 years and above and persons with reduced physical, sensory or mental capabilities or lack of experience and knowledge if they have been provided supervision or instruction concerning use of the appliance in a safe way and understand the hazards involved. Children should not carry out cleaning or maintenance of the product without supervision.
- In order to avoid a hazard, if the supply cord (6) is damaged, it must be replaced by the manufacturer, its service agent or similarly qualified persons.
- Only place the appliance on hard, flat and stable surfaces which are inaccessible to children.
- When the product is working do not cover the back grill or air output.
- Before cleaning or maintenance, unplug the product power cord (6) from the power supply.

Fig. 1



# DXAPV3N Air Purifier

## **WARNING:**

Please read before use these instructions and keep them for future reference.

The DXAPV3 Dimplex Air Purifier has been designed to improve the quality of indoor air, reducing the presence of polluting agents such as dust, cigarette smoke, unpleasant odours, spores, bacteria, pollen, dust mite residues, pet dander etc.

Air passes through an active carbon filter which helps to eliminate dust and odours such as cigarette smoke. The air is then passed through a HEPA filter, able to retain 99.97% of polluting particles with a microscopic size of 0,3µm upwards; such as pollen, dust mites, mould spores and bacteria.

Air purification is assisted with the built-in Dimplex Viro<sup>3</sup> Enviro-neutralising Technology.

### **Enviro-neutralising Technology**

The Viro<sup>3</sup> Enviro-neutralising Technology generates a balance of positive and negative ions from water vapour in the air. These ions cluster around harmful substances such as airborne mould, viruses and allergens, changing their chemical make-up and rendering them inactive and harmless to the human body. The negative ions produced by the Viro<sup>3</sup> Enviro-neutralising Technology, are similar to those which can be found in uncontaminated areas of nature such as waterfalls, beaches and in the mountains. They enrich the air and naturally give a sensation of clean air, reducing psychophysical stress.

The DXAPV3N has two airflow speeds with a max air flow rate of 44m<sup>3</sup>/H. It has a low power consumption of 25W and is suitable for environments of a size up to 55m<sup>2</sup>.

<b>KEY (Fig.1)</b>
<b>DXAPV3N</b>
1. Feet
2. --
3. Back grill
4. Back grill hook

- |   |
|---|
| <ol style="list-style-type: none"><li>5. Filter</li><li>6. Supply cord</li><li>7. ON/OFF switch</li><li>8. Air output</li></ol> |
|---|

## **WARNINGS**

- This product is not a toy. Keep the appliance, the back grill (3) the filter (5), the feet (1), and the power cable (6) out of the reach of children.
- Do not start the appliance work without the filter (5) or the back grill (3).
- Fix the filter (5) only by the use of the back grill (3).
- After having removed the appliance from its packaging, ensure that it is intact and that there is no visible damage. When in doubt, do not use the appliance and only contact technically competent personnel or retailers.
- Keep all components and packaging out of the reach of children.
- Before connecting the appliance, ensure that the information on the rating label is compatible with your electricity distribution network. The rating label is located on the bottom of the appliance.
- Only connect the appliance to a socket that is accessible to adults.
- Do not move, lift, tilt, or perform any cleaning or maintenance when the purifier is in use or connected to the mains.
- Before cleaning or drying the appliance, remove the power cord (6) from the socket.
- Never leave the power cable plug (6) inserted in the socket when the unit is unattended or not in use.
- Do not use accessories, spare parts or components that have not been provided/ supplied by the manufacturer.
- Any repairs should only be performed by competent technical personnel.
- The use of any electrical appliance requires compliance with certain basic rules:
  - Never touch the unit with wet or humid hands.
  - Do not pull the power cord (6) or the appliance itself to remove the plug from the socket.
  - Never leave the appliance exposed to natural elements (rain, sun, etc.).
  - Keep the appliance and the power cable away from sources of heat.
  - Never immerse the appliance in water, other liquid or place it under running water.

- Do not touch the appliance if it has accidentally dropped into water; immediately turn the power off, turn off the power in your home and remove the plug from the socket before touching the appliance. Do not reuse the appliance but contact the retailer or an authorized service centre.
- This appliance contains no parts that can be serviced or reused by the user and it can only be opened with special tools. In the event of failure and/or poor operation of the unit, switch it off immediately and remove the plug from the socket. Do not attempt to tamper with the unit and only contact the retailer or a service centre authorized.
  - If the unit is not used for an extended period of time, it must be stored as detailed in the paragraph regarding *Cleaning and Maintenance*.
  - Should the unit no longer be used, it is advisable to make it inoperative by cutting the power cable, after removing the plug from the socket.
  - Do not dispose of as household waste but recycle, as it is electrical/electronic equipment (WEEE), as required by applicable laws and EU directives.
  - To avoid the risk of fire, do not pass the power cable (6) under rugs or near radiators, stoves and heaters.
  - Do not keep the purifier in environments with extreme temperatures.
  - Product features may be subject to change without notice.
  - If you have doubts about the interpretation of anything within this instruction booklet, contact your retailer or the manufacturer.

## **INSTRUCTIONS FOR USE**

---

### **PRELIMINARY OPERATIONS**

1. Position the appliance in its selected position, observing the requirements outlined in the *Warnings* paragraph.
2. Position the product so that the back grill (3) and the air output (8) are not covered.
3. Verify that filter (5) and back grill (3) are inserted before switching the product on.
4. Connect the power cable plug (6) to a socket that is inaccessible to children.

### **SWITCHING THE APPLIANCE ON AND OFF**

5. Move the ON/OFF switch (7) from "OFF/0" position to "●" in order to switch on the appliance on speed 1, a light will indicate function.

Move the ON/OFF switch (7) to the “●●” position in order to switch to speed 2, a light will indicate function

Move back the ON/OFF switch (7) to “OFF/0” position in order to switch off the product.

## **CLEANING AND MAINTENANCE**



Warning!

Before performing the following cleaning/ maintenance operations, always switch off the appliance and unplug the power cable (6) from the socket.

## **HOW TO CLEAN THE EQUIPMENT**

Always remember to disconnect the power cable plug from the mains socket before carrying out any cleaning operations. It is recommended that you clean the outer body of the product every 2 weeks, using a soft cloth dampened in water. Do not use sprays, alcohol or other aggressive or abrasive substances. Only clean the air outlet grill (3) with a soft brush to lift any dust. Do not insert any objects into the openings of the product.

Warning!

1. Do not immerse the appliance in water or other liquid. Do not place the appliance under water or use near jets of water; if electrical parts come into contact with water, do not use the appliance and contact your retailer or a service centre authorized by the distributor.
2. Keep water away from the power cord (6).
3. Any repairs must only be performed by a service centre authorized by the distributor.

## **REPLACING THE FILTER**

The DXAPV3N is supplied with a combined filter made up of an active carbon pre-filter and HEPA 1 filter.

The filter cannot be washed and its life depends on the time of use and the quality of air in the environment. (It is recommended to replace the filter at least every 2000 hours of use). If the environment is particularly dusty, the filter should be replaced more frequently. It is recommended to regularly check the amount of dirt accumulated in the filter.

### **How to Replace the Filter:**

- Keep the product and cable away from heat sources.
- Switch off the equipment and disconnect the power cable plug from the mains socket.
- Raise the filter release catch located at the rear of the product and remove the air inlet grill (4).
- Remove the old filter (5) and replace it with a new filter.
- Reassemble the equipment carrying out the above operations in the reverse order.

**WARNING!** Ensure the active carbon filter (darker filter) is placed closest to the air inlet grill when put back into the filter housing.

**WARNING!** Replace the filter with an original filter supplied by Dimplex or the retailer/supplier only.

The use of filters not approved by the manufacturer could impair the safety and operation of the equipment.

### **PURCHASING SPARE FILTERS**

In the first instance you can obtain spare HEPA/ carbon filters (part code 5053285057615) on <https://www.dimplex.co.uk/spares>

### **TECHNICAL FEATURES**

MOD. DXAPV3N

Nominal voltage: 220-240V~ 50Hz

Absorbed power: 25W

Suitable air cleaning capacity: 55m<sup>3</sup>

Weight: 1.6Kg

Measurements: 240x130x330mm

Storage environmental conditions:

Ambient temperature: -10 ÷ +50 °C



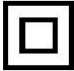

Relative humidity: 10 ÷ 90%

### **CE Conformity:**

This air purifier appliance complies with all the essential requirements and other provisions indicated in the EC Directives 2014/30/EU (electromagnetic compatibility) and 2014/35/EU (electrical safety). To request a copy of the EC declaration, please contact the Manufacturer.



## SYMBOLS KEY

	Equipment in compliance with the essential requirements laid down in the EC Directives in force
	Warning!
	Class II equipment
	Users instructions
	This marking indicates that this product should not be disposed with other household wastes throughout the EU. To prevent possible harm to the environment or human health from uncontrolled waste disposal, recycle it responsibly to promote the sustainable reuse of material resources. To return your used device, please use the return and collection systems or contact the retailer where the product was purchased. They can take this product for environmental safe recycling.

## AFTER SALES SERVICE

Your product is guaranteed for 1 year from the date of purchase. The 1 year guarantee is extended for an additional 2 years when you register the product with Dimplex within 28 days of purchase. If you do not register the product with Dimplex within 28 days your product will remain guaranteed for 1 year only.

Within the extended warranty period we undertake to repair or exchange this product free of charge providing:

- a) Proof of purchase such as sales receipt can be provided, showing that the appliance was bought within the 12-months prior to registering the defect/fault.
- b) The appliance was correctly operated in accordance with the manufacturer's instructions and used solely for domestic purposes.
- c) The defect/fault was not as a result of accident, misuse, unauthorised modification or inexpert repair.

Your rights under this guarantee are additional to your statutory rights, which in turn are not affected by this guarantee.

### **Validation of extended warranty**

To validate your extended warranty, register with us online at <http://register.dimplex.co.uk>

N.B. Each qualifying product needs to be registered with Dimplex individually. **Please note that the extended warranty is only available in the UK and Ireland.**

If you have any questions about what the Dimplex Guarantee covers and does not cover or how to claim under the Dimplex Guarantee please go to [www.dimplex.co.uk](http://www.dimplex.co.uk) or contact us at the following:

**Contact Dimplex** A brand of Glen Dimplex UK Limited, trading as Glen Dimplex Heating & Ventilation.

GLEN DIMPLEX HEATING & VENTILATION  
MILLBROOK HOUSE  
GRANGE DRIVE  
HEDGE END  
SOUTHAMPTON  
SO30 2DF  
Tel: 0344 879 3588

**This product complies to EU directive 2012/19/EU.** The crossed bin symbol on the appliance indicates that the product, at the end of its life, must be disposed of separately from domestic waste, either by taking it to a separate waste disposal site for electric and electronic appliances or by returning it to your dealer when you buy another similar appliance. The user is responsible for taking the appliance to a special waste disposal site at the end of its life. If the disused appliance is collected correctly as separate waste, it can be recycled, treated and disposed of ecologically; this avoids a negative impact on both the environment and health, and contributes towards the recycling of the product's materials. For further information regarding the waste disposal services available, contact your local waste disposal agency or the shop where you bought the appliance.

Glen Dimplex Heating & Ventilation reserves the right to modify the content of these instructions, at any time and without prior notice.