

# Solo Pro/SELV

- 100mm high performance centrifugal extract fan for internal bathrooms, toilets and other small rooms
- Extract performance 22l/s
- Single speed and overrun timer models
- Suitable for wall, ceiling, panel and window mounting
- SELV models suitable for installation over or within reach of a shower or bath
- Suitable for use with flat ducting
- IPX4 rated - IPX7 rated (SELV)
- Transformer complies with BS EN 60742



## High Performance Ventilation

The new Solo Pro is a new and improved version of our trusted Solo model. With improved aesthetics, sound and installation it has been specifically designed for effective ducted ventilation of internal bathrooms, toilets and other small rooms. Finished in White, the new Solo Pro range can be used with 100mm diameter smooth bore duct in straight runs equal to 50m, yet still meets the minimum 15l/s required by the current Building Regulations Document F for ventilation of bathrooms. Solo Pro can also be used with flat ducting for shorter concealed runs.

Models are available for surface or recessed mounting directly into standard 100mm diameter ducting. Suitable for panel, wall and ceiling installations and windows up to 25mm thick. For high rise or coastal applications, install through the wall with a Vent Cowl (Stock Ref 561403).

## Safety Extra Low Voltage

SELV models are designed for areas where a fan has to be fitted within zone 1 in a room containing a fixed bath or shower according to IEE wiring regulations. The Solo SELV models can be safely installed within the spray area. The SELV models are rated IPX7, control is by a mains safety isolating transformer with 12V DC SELV output, which is sited away from any source of spray and out of reach of a person using a fixed bath or shower.

The safety isolating transformer, to BS EN 60742, is mounted in a purpose made enclosure. The enclosure can be wall mounted or sited in the loft. The enclosure will accept mini trunking.

## Electrical

Rear 20mm conduit entry for recessed wiring and side entry grommet for surface wiring.

Supply voltage to transformer/controller 220-240V/1/50Hz. Output to fan 12V SELV/ 1/50Hz.

To meet IEE Regulations, timer models should be isolated using a 3 pole isolator.

Model	Stock Ref
3 pole isolator	563518

## Models

### Solo Pro P/SELV SVP (Pullcord)

Control by pullcord or from light/remote switch or sensor. Back draught shutter. SELV model comes with mains transformer with 12V SELV output.

Model	Stock Ref
P	409159
SVP (SELV)	409163

### Solo Pro T/SELV T (Timer)

Control by light/remote switch. Overrun timer variable from 5 to 30 minutes. Back draught shutter. SELV model comes with mains transformer with 12V SELV output.

Model	Stock Ref
T	409160
SVT (SELV)	409164

### Solo Pro HTP/SELV SVHTP (Humidity/Timer)

Humidity controlled with pullcord override. 17 min overrun timer. Back draught shutter. SELV model comes with mains transformer with 12V SELV output.

Model	Stock Ref
HTP	409161
SVHTP (SELV)	409165

**Solo Pro TM (Timer/PIR)**

Controlled by separate PIR sensor supplied with fan. Built in overrun timer, variable from 5 to 30 minutes, switches fan Off.

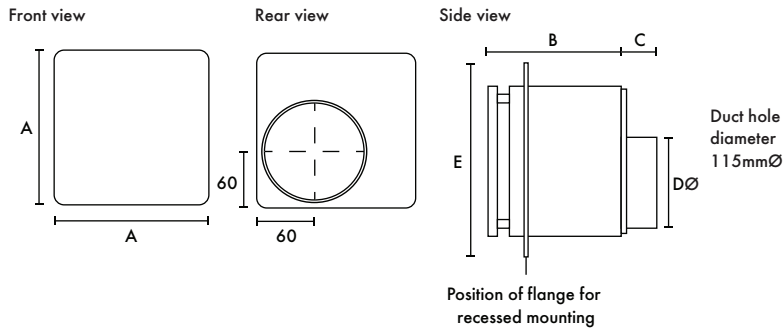
Model Stock Ref  
 TM 409162

**Accessories**

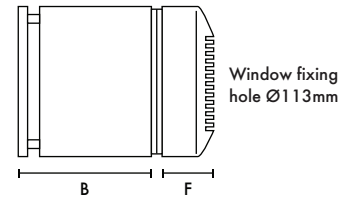
Model Stock Ref  
 Wall Kit White 254102  
 Wall Kit Brown 254100  
 Window Kit 11461685

**Dimensions (mm)**

**Wall**



**Window**



Model	A	B	C	DØ	E	F
Solo Pro/SELV12 P/T/HTP/TM	154	119	25	100	195	57.5

Transformer (W x H x D) 175 x 90 x 85

**Performance Guide**

Model	Extract Performance		Max Watts	dB(A) @ 3m	Amps @ 240V
	m <sup>3</sup> /h	l/s			
Solo Pro SELV12/T/HP	80	22	19	30	0.26
Solo Pro P/T/HTP/TM	80	22	17	30	0.15