

Radiant Heaters

Features and Benefits

- Economical and easy to install
- Silent in operation
- No yearly maintenance cost
- Shortwave IR halogen lamp
- One second heat up time
- Precision heating directed where you need it
- Up to 5000 hours element life span
- IP65 rated (VARO model)

Profile

Our radiant heating product range gives the flexibility to deal with large and small unheated spaces which would be uneconomical to heat using traditional space heating.

Area such as bars, restaurants, terraces, delivery areas, warehouses and churches, are some examples where our radiant heating products can provide an economical heating solution.

Radiant heat and its advantages

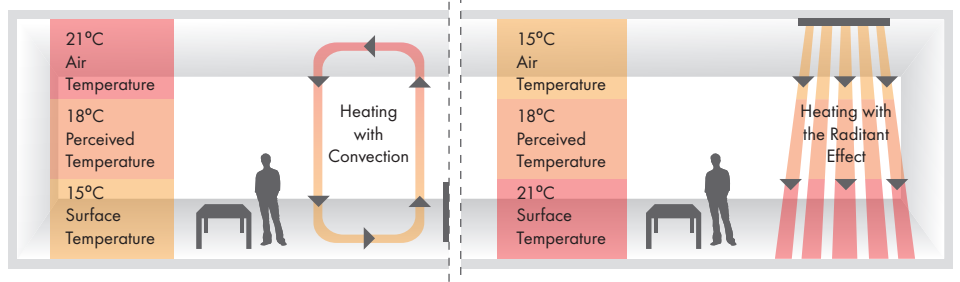
The heat we feel from the sun is called radiant heat and is part of the electromagnetic spectrum called infrared. Ultra violet and visible light also belong to the same family.

Visible light is the easiest part of this spectrum to understand, light travels in a straight line from the source is unaffected by air movement and is invisible until it hits a surface. Shadows are a good example of this and display the absence of light.

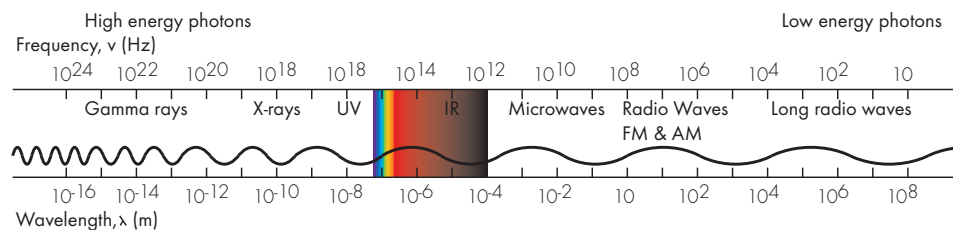
Infrared rays behave in the same way, we cannot see them but we can feel them as warmth. A good example of this is the effect created when you move from the shade into the sun, although the temperature is the same the perceived temperature when in direct sunlight is much higher. This phenomenon makes sunbathing possible during winter holidays. There are three categories of Infrared, short wave (IR A), medium wave (IR B) and long wave (IR C), the shorter the wave length the easier it travels through the air.

The advantage of using short wave infrared heating is that the rays cut through the air and are not affected by air movement, therefore only transmitting heat energy when the infrared rays collide with a solid object.

Convection Heating and Radiant Heating Comparison



Wave Spectrum



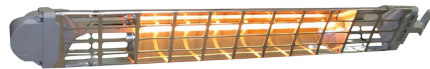
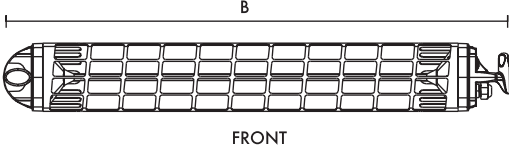
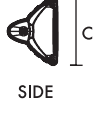

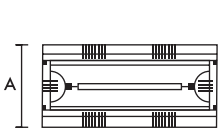
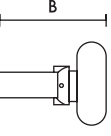

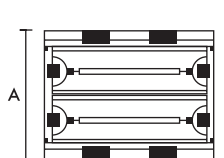
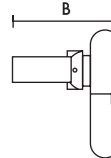

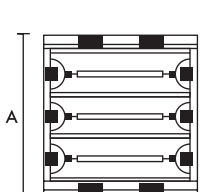
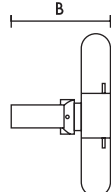
UV: Ultraviolet Radiation			VIS: Visible Radiation; Light					IR: Infrared Radiation					
UV-C 100-280nm	UV-B 280-315nm	UV-A 315-400nm	Violet	Blue	Blue/Green	Green	Yellow/Green	Yellow	Orange	Red	UV-A 800-1400nm	UV-B 1400nm - 3,0µm	UV-C 3,0µm - 1mm

Wave Infrared Comparison

	Short Wave Infrared	Medium Wave Infrared	Long Wave Infrared
Typical Source	IR Halogen Lamp	Quartz Heat Source	Resistance
Materials	Tungsten Filament welded in a quartz tube	Filament in compound of Fe-Cr-Al in a quartz tube	Filament in compound of Fe-Cr-Al in a steel tube
Radiant efficiency	92%	60%	40%
Switch on/off times	1 second	30 second	5 minutes



Dimensions (mm)

			<table border="1"> <thead> <tr> <th>Stock Ref</th> <th>A</th> <th>B</th> <th>C</th> </tr> </thead> <tbody> <tr> <td>447600</td> <td>83</td> <td>836</td> <td>112</td> </tr> </tbody> </table>	Stock Ref	A	B	C	447600	83	836	112
Stock Ref	A	B	C								
447600	83	836	112								
			<table border="1"> <thead> <tr> <th>Stock Ref</th> <th>A</th> <th>B</th> <th>C</th> </tr> </thead> <tbody> <tr> <td>447602</td> <td>235</td> <td>313</td> <td>486</td> </tr> </tbody> </table>	Stock Ref	A	B	C	447602	235	313	486
Stock Ref	A	B	C								
447602	235	313	486								
			<table border="1"> <thead> <tr> <th>Stock Ref</th> <th>A</th> <th>B</th> <th>C</th> </tr> </thead> <tbody> <tr> <td>447603</td> <td>376</td> <td>313</td> <td>496</td> </tr> </tbody> </table>	Stock Ref	A	B	C	447603	376	313	496
Stock Ref	A	B	C								
447603	376	313	496								
			<table border="1"> <thead> <tr> <th>Stock Ref</th> <th>A</th> <th>B</th> <th>C</th> </tr> </thead> <tbody> <tr> <td>447604</td> <td>515</td> <td>313</td> <td>496</td> </tr> </tbody> </table>	Stock Ref	A	B	C	447604	515	313	496
Stock Ref	A	B	C								
447604	515	313	496								

Specification

Stock Ref	Model	Weight	Voltage rating	Bulb	Luminous spectrum	Accessories	Power	Amps	Heating range	Replacement elements
447600	VARO 1800	1.0 kg	230V ~ 50-60Hz	gold x1	IR-A	wall bracket	1800W	8	8-10 m ²	VARO 447606
447602	VARI 2000	2.2kg	220-240V - 50-60Hz	gold x1	IR-A	wall bracket	2000W	9	9-12m ²	VARI 447605
447603	VARI 4000	3.0kg	220-240V - 50-60Hz	gold x1	IR-A	wall bracket	4000W	18	12-16m ²	VARI 447605
447604	VARI 6000	3.8 kg	380-415V - 50-60Hz	gold x1	IR-A	wall bracket	6000W	27	16-20m ²	VARI 447605