

# Accessories & Controllers - Residential & Light Commercial

---

For ventilation systems to be truly efficient it is important for them to operate only when needed. Our range of Sentinel demand ventilation systems along with our controls and sensors help respond to the exact ventilation requirements of a room at any one time. Providing airflow only when it is required and at the level that it is required ensures that only the energy that is needed is used; no more no less.

Approved Document L now recognises the value that controls can offer and you will find Vent-Axia offer a range of solutions to ensure that you can maximise the benefit of automation where ever you chose to use it.



Range



**Vent-Axia®**

# Controllers & Sensors Selection Guide

Controller/Sensor	Lo-Carbon Kinetic E & Plus E	Sentinel Kinetic Range	HR400	Integra
Timespan			• **	•
Air Quality		•		
Ambient Response Humidity Sensor	•	•	•	•
SELV Ambient Response Humidity Sensor		•		
Ecotronic Humidity Sensor	•	•	•	•
Humidistat		•		
7 Day Timeswitch			•	•
Guardian PIR				
Visionex PIR	•	•	•	•
3 speed switch				
VCON100				
Ventwise	•	•		
2 way switch neon				• **
150VA				Optional
VCON77			•	
VCON6				
Electronic speed controller				
TIM2 run-on timer	•	•	•	•
Wireless remote controller				
Wireless enable kit				

\* Not for use with 315 models (ACM/P/H)

\*\* For trickle/boost operation, a relay is required (442030)

\*\*\* Excluding MV250H and MVDCH

The solution to the growing issues of poor indoor air quality, caused by increasing air tightness and insulation, is controlled mechanical ventilation using intermittent extract, heat recovery or central extract, wholehouse systems. Controls improve the efficiency and effectiveness of the ventilation systems through close control of the environment in which they are installed.

Vent-Axia has the most comprehensive range of humidity sensors available on the UK market covering conventional AC, SELV and Lo-Carbon fans.

Integra Plus	HR250	HR200V	HR100R/RS	Multivent Range***
	•**		•**	
				•
•	•	•	•	•
•	•		•	•
				•
•	•	•	•	•
			•	
•	•	•	•	•
•				
			•	
			•**	
	Optional	•		
		•		
		Optional		
•	•	•	•	•

# Controllers & Sensors



## Ecotronic Controller Surface mounting

An electronic controller for use with all T-Series and Standard Range models, to give extract/intake and speed variation. Where a controller is used with T-Series, 5-core flexible cord is required.

- 'E' running position for optimum efficiency.
- Finger-tip sliders.
- Infinitely variable speed control.
- Double pole On/Off switching.
- Extract/intake airflow direction.
- Neon indicator.
- Sensor mode for use with suitable electro-mechanical switches, eg. ThermoSwitch, HumidiSwitch to give automatic fan operation.
- Adjustable minimum speed setting.
- Knockouts for recessed wiring.
- Ambient operating temperature range 0°C to +40°C.
- Dimensions: 86 x 156 x 53mm (H x W x D).
- Supply voltage 220-240V/1/50Hz
- Maximum load: Ecotronic - 400 Watts
- Designed to meet IP20.
- BEAB Approved.

**Stock Ref**  
**W362320**

## T-Series® Controller Surface mounting

A single unit controller for use with all T-Series ventilating units. With knockouts for recessed wiring. Where a controller is used with T-Series, 5-core flexible cord is required.

- 3-speed operation. High, medium or low.
- Finger-tip sliders.
- Double pole On/Off switching.
- Extract/intake airflow direction.
- Sensor mode for use with suitable electro-mechanical switches, eg. ThermoSwitch, HumidiSwitch to give automatic fan operation.
- Unique shutter open, fan Off setting.
- Neon indicator on controller.
- Knockouts for recessed wiring.
- Ambient operating temperature range 0°C to +40°C.
- Dimensions: 86 x 156 x 53mm (H x W x D).
- Supply voltage 220-240V/1/50Hz
- Designed to meet IP20.
- BEAB approved.

**Stock Ref**  
**W361119**

## TimeSwitch Controller Surface mounting

Adjustable automatic timer for timed ventilation of internal rooms in a variety of domestic and commercial applications.

For use with any Vent-Axia fan, within maximum rating below. The controller can be wired to the lighting circuit. Alternatively it can be connected to a door switch or any other commercially available switch. The ventilating unit is switched On with the light and keeps running for a preset period of between 1 and 35 minutes after the light is switched Off.

- Finger-tip slider.
- Secret adjustable time delay feature on front fascia.
- Off/auto/manual override switch.
- Knockouts for recessed wiring.
- Dimensions: 86 x 156 x 53mm (H x W x D).
- Ambient operating temperature range 0°C to +40°C.
- Maximum load 2 amp resistive (1 amp inductive).
- Supply voltage 220-240V/1/50Hz
- Designed to meet IP20.

**Stock Ref**  
**W361310**

## Flush fitting

All Controllers on this page have the option to be flush mounted using a metal recessed box.

**Stock Ref**  
**400144**

Registered design numbers: 1 030 207 Surface Mounting controller, 1 030 208 Flush fitting controller. Patented Remote Speed Control Circuit. European Patent number EP 0180311.

Manufacturers of some fluorescent/low energy lighting systems indicate that these can interfere with other electronic/timing circuits. For reliable operation of these circuits we recommend therefore that a tungsten filament light is used.



### TimeSpan® Controller

Adjustable timer with overrun facility for fans ventilating W.C's and other small rooms.

For use with any Vent-Axia fan within maximum rating below. The fan is switched on with the light and keeps running for a pre-set period after the light is switched off.

- Fits to any single gang box.
- Adjustable time delay 5-25 minutes from the back.
- Ambient operating temperature range 0°C to +40°C.
- Maximum load 250W inductive.
- BEAB Approved.
- Dimensions Controller only:  
87 x 87 x 33mm (H x W x D).
- Supply voltage 220-240V/1/50Hz.

**Stock Ref**  
**563519**

A surface mounting back box is available.

**Stock Ref**  
**410020**



### Air Quality Sensor

Automatically reacts to the depletion of air quality, sensing tobacco smoke, smells and toilet odours to regulate mechanically ventilated areas such as cinemas, pubs, clubs, restaurants, kitchens, toilets and conference rooms. This is not a CO<sub>2</sub> sensor.

The sensor switches the fan On when the air quality declines below an adjustable preset level. This is registered by the ceramic sensing head which is self-cleaning, a process which occurs every time the unit is triggered. When the atmosphere has returned to normal, the fan will continue to run for a pre-set period (adjustable between 1-25 minutes) and then switch Off.

The air quality sensor should not be used for the detection of combustible gases and is not designed for use as a smoke detector in an alarm system.

For use with various Vent-Axia fans within maximum rating below.

The AQS is also able to switch between trickle and boost speed on the appropriate ventilation units.

- Ambient operating temperature range 0°C to +50°C..
- Dimensions:  
87 x 157 x 47mm (H x W x D).
- Maximum switched load:
- 2A inductive at 240V.
- Sensor consumption: 25mA at 240V.
- DEMKO Approved.
- Supply voltage 240V/1/50Hz

**Stock Ref**  
**563506**



### Electronic 1.5A Controller

Surface mounting. It will provide infinitely variable speed control and features an On/Off/sensor slider with neon indicator. There is an adjustable minimum speed setting. The controller is radio suppressed to BS EN 55014 and electrical connections for use with suitable external sensors are provided.

86 x 156 x 53mm (H x W x D). For flush fitting a metal wall box accessory is available.

Hole for wall box:  
80x150x150mm (HxWxD)

**Stock Ref**  
**W300310**

Hole for wall box:  
80x150x50mm (HxWxD)

**Flush fitting box**  
**Stock Ref**  
**400144**

# Controllers & Sensors



## Ambient Response Humidity Sensor

The latest self programming electronic On/Off wall mounted humidity sensor which reacts to any rapid increase in humidity and temperature by switching a Vent-Axia fan 'On' for rapid removal of moisture laden air, in domestic bathrooms and kitchens. Can be wired into controller "Auto" mode connections. Night time RH increment setback feature suppresses nuisance tripping when the humidity level gradually rises as the temperature falls.

- Pullcord override and neon indicator.
- Changeover relay switch
- Operating range: 30%-90%RH operating range.
- Ambient operating temperature +5 °C to +40 °C.
- Dimensions Controller only: 87 x 87 x 33mm (H x W x D).
- Will fit single gang box for surface mounting

**Stock Ref**  
**563550** 240VAC 50Hz

European Patent No: 2298057



## Ambient Response SELV 12 Humidity Sensor

12V Safety Extra Low Voltage version for use with VA100 SELV, Solo SELV, LuminAir SELV and HR100 SELV range.

The latest self programming electronic On/Off wall mounted humidity sensor which reacts to any rapid increase in humidity and temperature by switching a Vent-Axia fan 'On' for rapid removal of moisture laden air, in domestic bathrooms and kitchens. Can be wired into controller "Auto" mode connections. Night time RH increment setback feature suppresses nuisance tripping when the humidity level gradually rises as the temperature falls.

- Pullcord override and neon indicator.
- Changeover relay switch
- Operating range: 30%-90%RH operating range.
- Ambient operating temperature +5 °C to +40 °C.
- Dimensions Controller only: 87 x 87 x 33mm (H x W x D).
- Will fit single gang box for surface mounting.

**Stock Ref**  
**563551** 12VAC 50Hz



## Lo-Carbon Ambient Response Humidity Sensor

Designed specifically for the Lo-Carbon product range. The latest self programming electronic On/Off wall mounted humidity sensor which reacts to any rapid increase in humidity and temperature by switching a Vent-Axia fan 'On' for rapid removal of moisture laden air, in domestic bathrooms and kitchens. Night time RH increment setback feature suppresses nuisance tripping when the humidity level gradually rises as the temperature falls.

- Pullcord override and neon indicator.
- Changeover relay switch
- Operating range: 30%-90%RH operating range.
- Ambient operating temperature +5 °C to +40 °C.
- Dimensions Controller only: 87 x 87 x 33mm (H x W x D).
- Will fit single gang box for surface mounting.

**Stock Ref**  
**563552** 12VDC

All of these Sensors can be wired for either On/Off or Trickle/Boost operation.

Manufacturers of some fluorescent/low energy lighting systems indicate that these can interfere with other electronic/timing circuits. For reliable operation of these circuits we recommend therefore that a tungsten filament light is used.



### Ecotronic Humidity Sensor Surface Mounting

An adjustable set point, solid state On/Off sensor. A pullcord provides manual override, indicated by lamp. Adjustable from 65 to 90%RH. Can be wired into controller "Auto" mode connections. Incorporates changeover switch to select low/high speed.

- Setting range 65% - 90%RH.
- Maximum switching load 1 amp inductive.
- Pullcord override indicated by lamp.
- Ambient operating temperature 0°C to +40°C.
- Dimensions: 87 x 87 x 33mm. (H x W x D)
- Supply voltage 220-240V/1/50Hz.

**Stock Ref**  
**563532**



### Ecotronic® SELV 12 Humidity Sensor

12V Safety Extra Low Voltage version for use with VA100 SELV, Solo SELV, and LuminAir SELV range. Incorporates changeover switch to select low/high speed.

- Setting range 65% - 90%RH.
- Maximum switching load 5.6A @
- 12V AC.
- Pullcord override indicated by lamp.
- Ambient operating temperature 0°C to +40°C.
- Dimensions: 87 x 87 x 33mm. (H x W x D).
- Supply voltage 12V AC.

**Stock Ref**  
**563531**

Although suitable for siting within reach of a shower or bath we recommend this model is located out of the spray zone of a bath or shower.



### Vent-Axia HumidiSwitch

Operates Vent-Axia ventilating units on either a rise or a fall in humidity to control the damaging effects of condensation.

- Concealed adjustment.
- Setting range 20% to 80% RH.
- Ambient 0°C to +50°C.
- 82 x 132 x 40mm (H x W x D).
- Rating 2A (1A inductive).
- Switching range 120-240V.
- Designed for use with controllers with 'Auto' mode facility.
- Single pole changeover contacts.

**Stock Ref**  
**563501**

The Ecotronic and Ecotronic SELV 12 Sensor can be wired for either On/Off or Trickle/Boost operation.



# Controllers & Sensors



## 7 Day TimeSwitch

For applications where regular switching is required at fixed periods or at different times on different days of the week, eg: offices, shops, pubs and restaurants.

The 7-day TimeSwitch gives twelve On or Off positions per day and can be set for 7 days. The cycle will repeat until changed.

- Analogue clock display and integral time switches for ease of setting.
- Manual override.
- Removable clear plastic cover protects timeswitch face.
- Volt free changeover contacts.
- Time base: 7 days.
- Shortest switching time: 2 hours.
- Maximum load: 16amp resistive (8amp inductive).
- Ambient operating temperature range -20°C to +85°C.
- Dimensions: 104 x 74 x 52mm (H x W x D).
- Supply voltage 220-240V/1/50Hz

**Stock Ref**  
**563515**



## Vent-Axia ThermoSwitch

Automatically switches On fans on either a rise or fall in air temperature. The ThermoSwitch can be used with all Vent-Axia fans (via switchgear if appropriate) for the removal of warm air from buildings. It can also be used to switch On Hi-Line ceiling fans for Summer cooling and to move high level warm air down to the working level during Winter.

- Setting range: +6°C to +30°C.
- Two internal range limit/locking rings are included to allow setting within a limited temperature range or locking at a fixed set-point.
- IP20 rated.
- Sealed sensing mechanism.
- Snap-action, single pole, changeover contacts.
- Mounting direct on surface only.
- Electrical connection to screw type terminals with rear or side cable entry.
- Dimensions: 80 x 104 x 36mm (H x W x D).
- Contact rating: 1.5 Amp (inductive).
- 16 Amps (resistive)
- Maximum voltage 250V

**Stock Ref**  
**563502**



## Guardian Personnel Detector (PIR Sensor)

Suitable for controlling a range of Vent-Axia fans. Continuously monitors an area and activates when a moving body is detected.

- Supplied complete with wall mounting bracket.
- Adjustable timer overrun (5 seconds to 20 minutes).
- Supplied with lens to provide 15m (max) range, 200° detection area.
- Designed to meet IP55.
- Ambient operating temperature range -20°C to +50°C.
- Maximum load: 10 amp resistive (5 amp inductive). Suitable for use with fluorescent lighting up to 500W.
- Internal/External use
- Supply voltage 220-240V/1/50Hz

**Stock Ref**  
**563548**



### Vent-Axia Visionex PIR

A wall or ceiling mounted movement detector for use with any domestic Vent-Axia mains voltage product. Also suitable for use with Vent-Axia T-Series controllers on 'Auto' setting and ITC controllers on sensor mode.

- Fits any UK single gang mounting box.
- Adjustable timer overrun (5-25 minutes).
- Range of detection up to 10 metres.
- Designed to meet IP43.
- Ambient operating temperature range 0°C to +50°C.
- Maximum load: 2.5 Amps/600W inductive. Not suitable for use with lighting.
- Internal use only.
- No switched live required for internal rooms and toilets.
- Double insulated.
- Volt-free contacts.
- Supply voltage 220-240V/1/50Hz

**Stock Ref**  
**459623**

Surface fitting wall mounting box  
**Stock Ref**  
**410020**

### Vent-Axia Visionex SELV 12 PIR

A wall or ceiling mounted movement detector for use with any domestic Vent-Axia SELV 12 product.

- Fits any UK single gang mounting box.
- Adjustable timer overrun (5-25 minutes).
- Range of detection up to 10 metres.
- Designed to meet IP43.
- Ambient operating temperature range 0°C to +50°C.
- Maximum load: 5.6 Amps inductive @ 12V.
- Internal use only.
- No switched live required for internal rooms and toilets.
- Class III product.
- Volt-free contacts.
- Supply voltage 12V/1/50Hz

**Stock Ref**  
**459624**

Surface fitting wall mounting box  
**Stock Ref**  
**410020**

### 3 Pole Isolator

Isolates Live, Neutral and Switched Live for integral timer fans. 6 amp, 3 pole isolator complying to the 3mm contact separation requirement for routine maintenance repair.

**Stock Ref**  
**563518**



### Remote Delay Timer

A remote delay timer for use with all domestic products gives the option of offering a 2 minute delay before the fan starts. Once the fan has started the overrun timer is adjustable between 5-25 minutes.

**Stock Ref**  
**457986**

## Controllers & Sensors



### Fan Speed Adjuster

5 step speed adjuster for domestic kitchen extract fans, that can reduce the speed to 40% of its maximum performance.

**Stock Ref**  
**458153**



### Push Button Timer

The Vent-Axia Push Button Timer is ideal for applications that require an accurate timing period. Pushing the button activates the circuit, and starts the timing period. The timer has been designed for general purpose loads, a neutral feed is required at the switch position. This will allow the timer to be used in various applications from incandescent, fluorescent and compact fluorescent lighting to heating and ventilation loads. Adjustable timing range between 1 second and 2 hours.

Three different modes of operation can be set on the timer to provide a variety of options to suit particular applications.

**On/Off Mode:** Operating the unit will start the timing sequence. Operating the unit again during operation will stop the sequence immediately. If the unit is not pressed again after initial operation, the timer will switch off after the adjustable preset time period has elapsed.

**Resetting Mode:** Operating the unit will start the timing sequence. Operating the unit again during operation will restart the timing sequence.

**Non-Resetting Mode:** Operating the unit will start the timing sequence. Operating the unit again during operation will have no effect.

**Stock Ref**  
**426416**



### 5 Step Auto Controller

Used in conjunction with speed controllable fans to provide 5 stepped speed without electronic motor 'hum'. Several fans can be connected to one transformer provided their combined load does not exceed the controller rating.

Single phase: 3.0, 5.0 and 7.5amp. Rotary switch giving On/Off and five speeds.

Output voltages at 240V/1PH/50Hz 0, 90, 115, 140, 175, 240 volts.

Neon indicator. Enclosures are protected to IP54.

91 mm x 176mm x 85mm (WxHxD).

Dimensions	Stock Ref
135x170x117	10314103
167x219x108	10314105
200x253x170	10314107



### PIR Timer Switch

The Vent-Axia PIR Timer has been designed to control heating and ventilation. When body heat is no longer detected. Adjustable timing range between 10 seconds and 1 hours. As these timers have been designed for general purpose loads, a neutral feed is required at the switch position. Incandescent, fluorescent and compact fluorescent lighting, heating and ventilation loads. Electric heating can be controlled, either directly or via the heater control circuit. Several timers can be wired in parallel to control the same load if required.

**Stock Ref**  
**426418**



### Vent Wise Controller

The award winning Vent Wise controller has been designed to fully automate a ventilation system. The unit can be used on intermittent or continuous systems, switching a fan between off and on or from trickle to boost speed. The controller saves energy by only switching when cooking is taking place or condensation is being generated. The current sensor detects when the power supply to an oven or hob is switched on. The temperature sensor detects the rise in temperature in the hot feed to a bath or shower. A combination of up to three sensors may be used with one controller. Suitable for 240V single phase, the Vent Wise is capable of switching 2 amps or 500 watts. Ideal for student accommodation, social and sheltered housing, the Vent Wise maintains indoor air quality without the need for manual switching.

160mm x 85mm x 45mm (WxHxD).

**Stock Ref**  
**435960**

#### Current Sensors

4m cable  
**Stock Ref**  
**435994**

6m cable  
**Stock Ref**  
**435956**

12m cable  
**Stock Ref**  
**435957**

#### Temperature Sensors

4m cable  
**Stock Ref**  
**435995**

6m cable  
**Stock Ref**  
**435958**

12m cable  
**Stock Ref**  
**435959**



### Weatherproof Touch Activated Timer

The Vent-Axia Weatherproof Touch Activated Timer is designed for outdoor applications, with a 103 x 103 x 65mm smooth wall enclosure. This timer can accommodate general purpose loads, and will require a Neutral feed at the switch position. This will allow the unit to be used on various applications from incandescent, fluorescent or compact fluorescent lighting to heating and ventilation loads.

The unit has two functions; it can either be used as a Timer, or as a conventional switch.

Two different modes of operation can be set on the unit: Timing Mode: Pressing the touch plate will start the timing sequence. Pressing the touch plate again during operation will stop the sequence immediately.

Switch Mode: Pressing the touch plate will switch the unit on. Pressing the touch plate again will switch the unit off. The timer function is disabled in this mode.

Output is via a Single Pole Change Over Relay Contact, giving the option of a normally open or normally closed contact for switching purposes. The 'temporary' neon indicator is only illuminated when the unit is timing out. IP65 rated enclosure.

**Stock Ref**  
**434720**

## Controllers & Sensors



### Normal Boost Switch

A single gang switch to boost from high to low speeds on all heat recovery systems.  
85 x 85 x 10mm (H x W x D)

**Stock Ref**  
**455213**



### VCON6

A double gang switch to boost from high to low speeds.  
85 x 145 x 10mm (H x W x D)

**Stock Ref**  
**370356**



### Normal Boost Purge Switch

A single gang switch to operate between normal, boost and purge speeds.  
85 x 85 x 10mm (H x W x D)

**Stock Ref**  
**5108454**



### Momentary Push Switch

Compatible with Sentinel Kinetic range, the momentary switch boosts the unit for 30 minutes.  
85 x 85 x 10mm (H x W x D)

**Stock Ref**  
**437320**



### LED Indicator

Compatible with the Sentinel Kinetic range, the LED indicator illuminates when the MVHR unit requires a filter check or if the unit has a fault. Supplied with 15 metres of cable.  
85 x 85 x 10mm (H x W x D)

**Stock Ref**  
**448356**



### Normal Boost Switch - Stainless Steel

A single gang switch to operate normal/boost functions on MVHR systems. Brushed stainless steel finish.

90 x 90 x 18 (H x W x D)

**Stock Ref**  
**437320**



### Normal Boost Switch with Light Indicator

Single gang switch with LED illumination when in the Boost condition.  
85 x 85 x 10mm (H x W x D)

**Stock Ref**  
**449060**



### 2-Way Switch and Neons

A double gang switch to boost from high to low speeds on all heat recovery systems, incorporating neon lights to indicate speed settings. Suitable changeover relay required.  
85 x 145 x 10mm (H x W x D).

**Stock Ref**  
**459746**



### 3 Speed Controller

A three position rotary control which enables the unit to be manually switched from permanent trickle ventilation to either medium or boost speed.  
85 x 85 x 25mm (H x W x D)  
85 x 85 x 37mm (H x W x D): with rotary switch

**Stock Ref**  
**563533**



### VCON77 Transformer

Surface mounted Transformer with multiple voltage settings for optimum speed control of the HR400 heat recovery unit. Provides five trickle settings to match various dwelling sizes when interfaced with either a manual switch or automatic sensors. Boost speed available at full speed only (240V).  
95 x 218 x 75mm (H x W x D)

**Stock Ref**  
**370357**



### HR500 Controller

Surface mounting. On/Off remote sensor mode. Heat exchange, single fan extract or twin fan extract modes. Infinitely variable speed. Minimum speed setting.

**Stock Ref**  
**W14301010**



### 150VA Transformer

Surface Mounting Transformer with six voltage selections for trickle settings to match dwelling volume. Provides Boost/Trickle ventilation when used with humidity sensors or a manual switch.  
95 x 225 x 75mm (H x W x D)

**Stock Ref**  
**563538**



### TIM2 Overrun Timer

The TIM2 is a remote mounting electronic overrun timer with a relay output. 2 Amp indication load maximum. Adjustable overrun 2-30 mins. Ideal for where fans are to be controlled in conjunction with a lighting circuit or activated by remote sensors. Adjustable overrun 2-30 mins.  
76 x 76 x 41mm. (H x W x D)

**Stock Ref**  
**370346**

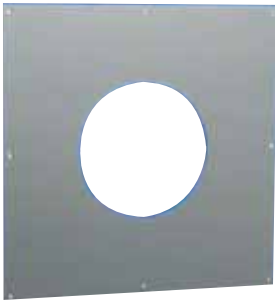


### Isolator Relay Controller

Allows fan unit to be isolated from other mains circuit when used with TIM2, Trickle/boost switch or light switch control

**Stock Ref**  
**442030**

# Ventilation Accessories

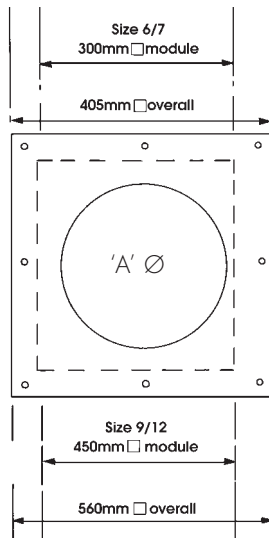


## Fixing Plates

A single plate available in 300mm and 450mm square modular sizes for permanent fixing on walls or for use with other modular components.

Manufactured in high impact recyclable thermoplastic.

Unit Size	Stock Ref
6	<b>561136</b>
7	<b>561137</b>
9	<b>561139</b>
12	<b>561142</b>



Vent-Axia fixing plate

Unit size	'A' Ø	Module size
Size 6	184mm	300 mm □
Size 7	222mm	300 mm □
Size 9	260mm	450 mm □
Size 12	337mm	450 mm □

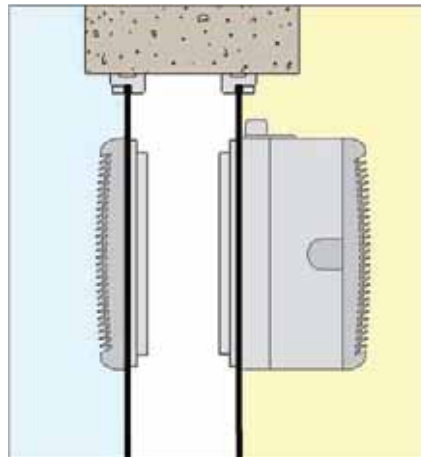


## T-Series Adaptor Kits

Used for T-Series Window models in secondary double glazing, Roof models in secondary double glazing in exposed areas, Roof models through roofs and Darkroom models installed through either roof or walls. Adaptor kits allow units to be installed on two surfaces.

T-Series Adaptor kits consist of two Mounting plates with weather-tight seals and a set of fixing screws.

Unit Size	Stock Ref
6	<b>W561031</b>
7	<b>W561032</b>
9	<b>W561033</b>
12	<b>W561034</b>



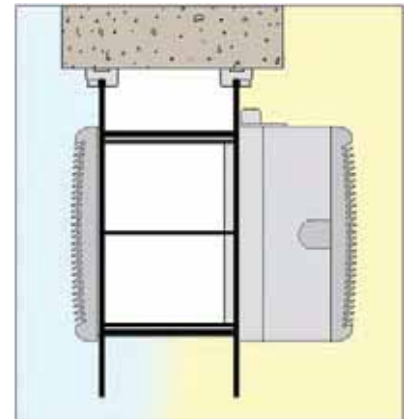
## T-Series Extended Fixing Rod Sets

For use with T-Series Window and Roof models fitted through walls. Consists of a set of rods which are cut to suit the wall thickness.

Maximum thickness of wall 370mm.

Rod thread 3.5mm.

Unit Size	Stock Ref
6, 7 & 9	<b>568104</b>
12	<b>568106</b>



T-Series extended fixing rod set

Unit size	Ref of Rods
6	4
7	4
9	4
12	6



### Wall Liner Section

Designed for T-Series units installed in walls thicker than 315mm, each liner section provides a maximum extension of 150mm. Wall liner section can also form a frame for Panel models in walls.

#### T-Series Wall Liner's

Unit Size	Stock Ref
size 6	<b>460094</b>
size 7	<b>460095</b>
size 9	<b>460096</b>
size 12	<b>460086</b>



### Mounting Boxes

A flanged sleeve in 300mm and 450mm square modular sizes used as an interconnecting sleeve between other modular accessories.

Mounting boxes will accept the depth of a unit and can be mounted in conjunction with a Fixing plate and Eggcrate grille for ventilation through ceilings.

Manufactured in flame retardant high impact recyclable thermoplastic.

Duct length 200mm.

Unit Size	Stock Ref
6/7	<b>560236</b>
9/12	<b>560239</b>

Vent-Axia mounting box	
Unit size	Modular size
6/7	300 mm <input type="checkbox"/>
9/12	450 mm <input type="checkbox"/>

### Joining Bolt Set

Set of 8 nuts, bolts and washers

**Stock Ref**  
**563000**



### Single Spigots

Single spigots in 300mm and 450mm square modular sizes. Used to connect Flexible ducting to Mounting boxes and other modular accessories or can be fixed directly to walls.

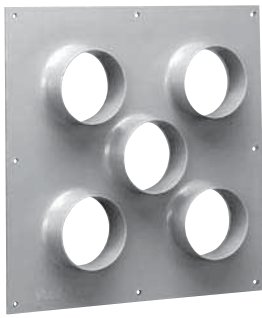
Manufactured in flame retardant high impact thermoplastic.

Unit Size	Nom Dia	Stock Ref
6	175mm(B)	<b>560637</b>
6/7	225mm(B)	<b>560639</b>
7	250mm(A)	<b>560640</b>
9	300mm(A)	<b>560642</b>
9	300mm(B)	<b>566142</b>
12	400mm(B)	<b>566146</b>

Vent-Axia single spigot		
Unit size	Spigot Ø	Module size
6	B 175 mm	300 mm
6	B 225 mm	300 mm
7	B 225 mm	300 mm
7	A 250 mm	300 mm
9	A 300 mm	300 mm
9	B 300 mm	450 mm
12	B 400 mm	450 mm



# Ventilation Accessories



## Multi-Spigot Plates

Available with 2, 3, 4 or 5 circular spigots of 100mm diameter. Multi-spigot plates are used in conjunction with 100mm Flexible ducting and other modular accessories to ventilate several small areas especially internal lavatories. For use with Size 6 units only. Manufactured in flame retardant high impact recyclable thermoplastic.

Available in 300mm square modular size.

Description	Stock Ref
2-3-4 Spigots	<b>560734</b>
5 Spigots	<b>560735</b>



## T-Series Direct Mount Spigots

Used to connect Flexible ducting directly to the inlet side of all T-Series models and the outlet side of T-Series Window models.

Manufactured in flame-retardant high impact recyclable thermoplastic.

Unit Size	Stock Ref
6 All models	<b>560501</b>
7 All models	<b>560502</b>
9 WW/RF	<b>560503</b>
9 WL/PL	<b>560504</b>
12 All models	<b>560505</b>



## T-Series Darkroom Cowl Assembly

For use with all T-Series fans for Darkroom applications. Designed to give light protection.

Can also be used in other light sensitive areas such as medical, dental and veterinarian applications.

Unit Size	Stock Ref
6	<b>460585</b>
7	<b>460586</b>
9	<b>460587</b>
12	<b>460588</b>

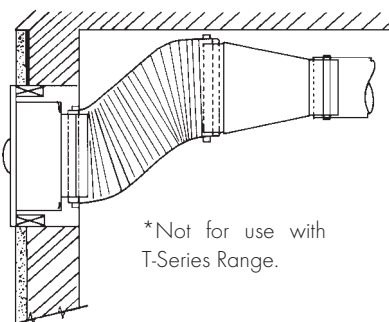


## Cone Connectors

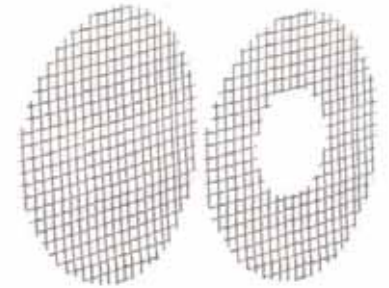
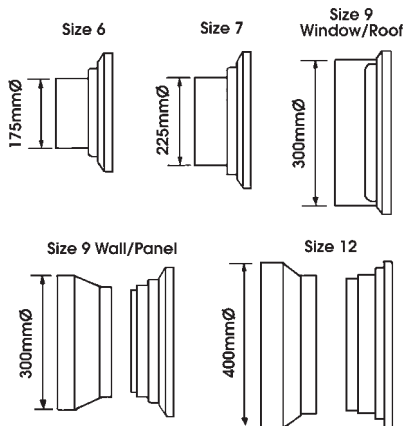
Used in conjunction with a Size 6 \*Standard Panel model to reduce the outlet spigot (175mm Ø) to 100mm Ø flexible or rigid ducting.

The Cone connector is 280mm long and incorporates a splitter for improved performance. Manufactured in flame retardant, high impact thermoplastic. Colour: Grey.

Unit Size	Stock Ref
6	<b>560936</b>



\*Not for use with T-Series Range.



## Standard Range Protective Grilles

Where Standard Range units are installed in low positions, finger guards provide extra protection to VDE, DIN 31001.

Standard Range internal grille (all models)

Unit size	Stock Ref
6	<b>563106</b>
7	<b>563107</b>
9	<b>563109</b>
12	<b>563112</b>

Standard Range external grille (window models)

Unit size	Stock Ref
6	<b>563406</b>
7	<b>563407</b>
9	<b>563409</b>
12	<b>563412</b>

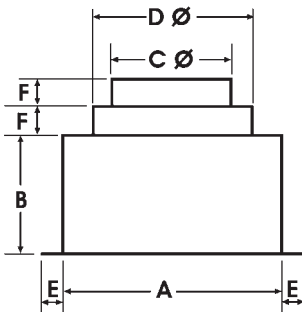


### Plenum Boxes

The Plenum box allows square grilles and diffusers to connect to circular duct. Each box size has a two diameter circular spigot for maximum versatility. The box is deep enough to accommodate both a double deflection grille and opposed blade damper.

Manufactured in flame retardant high impact recyclable thermoplastic.

Size	Stock Ref	Nom. Ø
200	<b>560601</b>	125/150
250	<b>560602</b>	150/175
300	<b>560603</b>	200/225
300	<b>560604</b>	250/300
450	<b>560605</b>	315/400



### Dimensions (mm)

Stock Ref.	A	B	C Ø	D Ø	E	F
560601	200	130	125	150	25	25
560602	250	130	150	175	25	25
560603	300	130	200	225	25	25
560604	300	130	250	300	25	25
560605	450	130	315	400	25	25



### Single Deflection Grilles

Single deflection grilles are suitable for either side wall or exposed duct applications.

The Single deflection grille has a single row of blades which permit up to 45° deflection of the air in one plane.

Satin silver finish.

Size 6/7 fits 300mm square modular size and size 9/12 fits 450mm square modular size.

Module size	Stock Ref
200mm sq	<b>561370</b>
250mm sq	<b>561371</b>
300mm sq	<b>561372</b>
450mm sq	<b>561373</b>



### Double Deflection Grilles

Double deflection grilles are suitable for supply air for either side wall or exposed duct applications.

The Double deflection grille has two rows of blades set at 90° apart which permit up to 45° deflection of the air in two planes.

Satin silver finish.

Size 6/7 fits 300mm square modular size and size 9/12 fits 450mm square modular size.

Module size	Stock Ref
200mm sq	<b>561380</b>
250mm sq	<b>561381</b>
300mm sq	<b>561382</b>
450mm sq	<b>561383</b>

# Ventilation Accessories



## Eggcrate Grilles

Eggcrate grilles can be used for air replacement or air extract purposes.

Used underneath Roof plate assemblies with Roof models, underneath Single spigots in ceilings, underneath Mounting boxes and on the inside faces of walls that have units in Fixed and Removable wall plates on the outside of the wall.

Comprising a 13mm square by 13mm deep mesh eggcrate core housed in a frame which has a satin silver or white finish.

Size 6/7 fits 300mm square modular size and size 9/12 fits 450mm square modular size.

Size 6/7 - 785cm<sup>2</sup> free area  
Size 9/12 - 1810cm<sup>2</sup> free area

200mm Sq - 340 cm<sup>2</sup>  
250mm Sq - 530 cm<sup>2</sup>

Satin finish.

Module size	Stock Ref
200mm sq	561303
250mm sq	561305
300mm sq	561301
450mm sq	561302

White finish.

Module size	Stock Ref
125mm sq	560846
200mm sq	560847
250mm sq	560848
300mm sq	560849
450mm sq	560850



## Opposed Blade Dampers

Opposed blade dampers are used to regulate air flow through all Vent-Axia grilles and diffusers. Key operated.

This action ensures that the downstream airflow is non-directional when the damper is in the partially closed position. Opposed blade dampers have aluminium blades and the frame is left in natural mill finish.

Can be used in conjunction with Eggcrate, Single deflection and Double deflection grilles.

Size 6/7 fits 300mm square modular size and size 9/12 fits 450mm square modular size.

Module size	Stock Ref
200mm sq	561341
250mm sq	561342
300mm sq	561343
450mm sq	561344



## Filtered Inlet Grille

For ceiling, panel or glass mounting. Consists of a size 6 grille, washable filter, adaptor kit and a stepped spigot to suit 100, 125 or 150mm diameter ducting.

Grille size:	226mm x 220mm
Spigot depth:	100mm
Fixing hole diameter	184mm

Stock Ref  
**W563536**



## 4-Way Diffusers

Manufactured in polypropylene plastic. Four diffuser cassettes can be set for downward or 45° discharge in any of sixteen directional combinations. Colour: Ivory

Neck Size	Stock Ref
225mm	10546230
300mm	10546300
350mm	10546350
400mm	10546400
450mm	10546450
500mm	10546500

500mm fits ceiling grid size 600mm □, 595mm □ overall diffuser size



## Neck Adaptor

Used to connect Flexible ducting directly to 4-way diffusers. Integral volume control damper for duct sizes up to 300mm.

Diffuser Duct Size	4-Way Neck Size	Stock Ref
150mm Ø	225mm	10547150
200mm Ø	225mm	10547200
250mm Ø	300mm	10547250
300mm Ø	350mm	10547300
400mm Ø	400mm	10547400
400mm Ø	450mm	10548400
400mm Ø	500mm	10548000



## Window/Wall/Ceiling Termination Sets

Used to terminate Flexible ducting at windows. Can be used with the Extended fixing rod set or Fixing plates for termination at walls. Used with Flexible ducting and Worm drive clips.

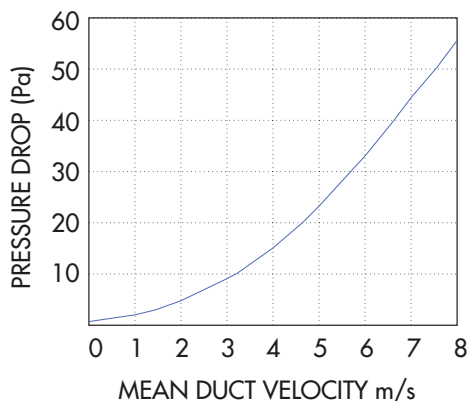
Consists of: Direct mount spigot, Adaptor kit, Window grille and all screws.

Unit Size	Spigot DiaØ	Stock Ref
6	175mm	<b>W560151</b>
7	225mm	<b>W560152</b>
9	300mm	<b>W560153</b>
12	400mm	<b>W560154</b>

### Other sizes

Spigot DiaØ	Stock Re
125	<b>W10554150</b>
200	<b>W10554200</b>
250	<b>W10554250</b>
315	<b>W10554315</b>

Wall termination sets.



## Air Replacement Non-Vision Grilles

Satin finish

Non-vision grilles consist of a single row of overlapping chevron vanes. Used as transfer grilles for doors or partitions, the overlapping vanes prevent through-vision.

Satin finish

Module size	Stock Ref
300mm sq	<b>561311</b>
450mm sq	<b>561312</b>

Black finish

In addition to preventing through-vision the black finish also limits light transference. Use two grilles back to back for darkroom applications.

Module size	Stock Ref
300mm sq	<b>561321</b>
450mm sq	<b>561322</b>



## Fire Dampers

Available in 300mm and 450mm square modular sizes. For use with other modular accessories when a duct passes through a ceiling or wall requiring a damper to be fitted. 107mm deep.

Concertina type with 71°C fusible link 2 hour rated.

Manufactured in stainless steel.

Size	Stock Ref
6/7	<b>561901</b>
9/12	<b>561902</b>



## Roof Termination Sets

Used to terminate Flexible ducting at roofs. Consists of: Direct mount spigot, Adaptor kit, Roof cowl, Deflector and all screws.

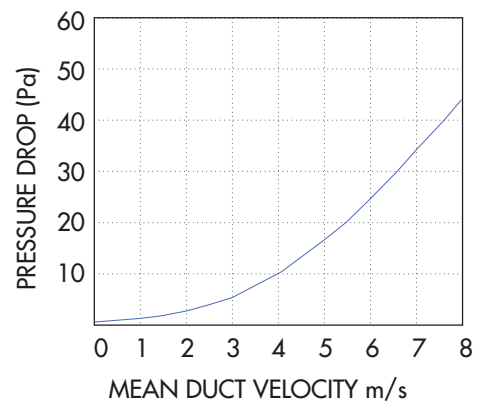
### T-series units

Size	Spigot Ø	Stock Ref
6	175	<b>560161</b>
7	225	<b>560162</b>
9	300	<b>560163</b>
12	400	<b>560164</b>

### Vent-Axia roof termination

Diameter	Stock Ref
100/125/150mm	<b>10555150</b>
200mm	<b>10555200</b>
250mm	<b>10555250</b>
315mm	<b>10555315</b>

Roof termination sets



# Ventilation Accessories



## Air Replacement Non-Vision Door Grilles with Matching Flanges

Non-vision grilles consist of a single row of overlapping chevron vanes to prevent through-vision, supplied with matching flanges. The grille is fitted to one side of the door with the matching flange on the other side.

Suitable for door thicknesses of 19-49mm.

Available in Silver or Brown finish, in two sizes, 600 x 150 and 600 x 300mm.

### Satin finish

Size	Stock Ref
600 x 150mm	<b>561390</b>
600 x 300mm	<b>561391</b>

### Brown finish

Size	Stock Ref
600 x 150mm	<b>560900</b>
600 x 300mm	<b>560901</b>



## Heavy Duty T-Series Wall Grilles

Tough aluminum construction for accessible public areas. Fits T-Series wall models in place of existing external grille. Finish T-Series grey.

Size	Stock Ref
6	<b>452725</b>
7	<b>452726</b>
9	<b>452727</b>
12	<b>452728</b>



## External Louvres Mill and Brown Finish

Weather resistant external louvres are suitable for air intake or discharge and for use with ducting on external walls.

The narrow blade construction has a 38mm pitch set at 45° with a depth of 41mm and an integral rain lip.

Standard 32mm wide undrilled outer flanges in aluminium have fully welded mitre corners as standard.

Size 6/7 fits 300mm square modular size and size 9/12 fits 450mm square modular size.

Size 6/7 - 345cm<sup>2</sup> free area  
Size 9/12 - 824cm<sup>2</sup> free area

### Satin finish

Size	Stock Ref
225mm sq	<b>561350</b>
300mm sq	<b>561351</b>
400mm sq	<b>561355</b>
450mm sq	<b>561352</b>

### Brown finish

Size	Stock Ref
225mm sq	<b>560910</b>
300mm sq	<b>560911</b>
400mm sq	<b>560912</b>
450mm sq	<b>560913</b>



## Louvre Grilles

Louvre grilles can be used for air replacement, for extract purposes and as an external louvre. Available in four sizes, the assembly fits over rather than into the aperture making it especially useful where there are space restrictions within the duct.

Manufactured in thermoplastic. Choice of three colours: White, Brown and Grey.

Size 6	- 190cm <sup>2</sup> free area
Size 7	- 335cm <sup>2</sup> free area
Size 9	- 415cm <sup>2</sup> free area
Size 12	- 705cm <sup>2</sup> free area

### Grille Dimensions (mm)

Size	w x h
Size 6	= 310 x 303
Size 7	= 352 x 345
Size 9	= 391 x 388
Size 12	= 470 x 467

The grilles and surrounds are moulded in ABS plastic to tone with building materials, therefore an equivalent BS or RAL colour reference cannot be given.

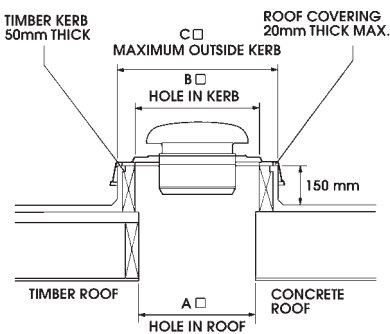
Unit Size	Colour	Stock Ref
6	Grey	<b>W561431</b>
6	Brown	<b>561411</b>
6	White	<b>561421</b>
7	Grey	<b>W561432</b>
7	Brown	<b>561412</b>
7	White	<b>561422</b>
9	Grey	<b>W561433</b>
9	Brown	<b>561413</b>
9	White	<b>561423</b>
12	Grey	<b>W561434</b>
12	Brown	<b>561414</b>
12	White	<b>561424</b>



### Roof Plate Assemblies

Vent-Axia roof plate assemblies are manufactured in high impact recyclable thermoplastic. They consist of a strong one piece moulded plate with extended sides to assist flashing and weather protection. A separate sub-frame is provided for permanent fixing to the roof kerb. The Vent-Axia Roof model is then fitted to the plate using a suitable sealing compound between the Cowl and plate, ensuring a weather-tight seal.

Size	Stock Ref
6	<b>560136</b>
7	<b>560137</b>
9	<b>560139</b>
12	<b>560142</b>



Size	A	B	C
6	300mm	335mm	65mm
7	300mm	335mm	65mm
9	450mm	490mm	15mm
12	450mm	490mm	15mm

In addition to the size 6, 7, 9 & 12 Roof Termination Sets, the Roof Plate Assemblies can also be used with the following Roof Terminations part numbers.

- 10555150 use size 6 Roof Plate Assembly
- 10555200 use size 7 Roof Plate Assembly
- 10555250 use size 9 Roof Plate Assembly
- 10555315 use size 12 Roof Plate Assembly



### 5-Core Flexible Cord

Multi-core flexible cord specially manufactured for use with all Vent-Axia Standard and T-Series units. White sheath with colour coded cores. Available by the metre (minimum 5m) or by the 50 metre coil. Cable size: 0.75mm<sup>2</sup>

	Stock Ref
Per 50 metre	<b>562031</b>
Cut length (per metre min 5m)	<b>562030</b>



### Joining Pieces

Used to join lengths of flexible ducting to give a long-lasting airtight connection.

Duct Size	Stock Ref
100mm Ø	<b>561804</b>
125mm Ø	<b>561805</b>
150mm Ø	<b>561806</b>
175mm Ø	<b>561807</b>
200mm Ø	<b>561808</b>
225mm Ø	<b>561809</b>
250mm Ø	<b>561810</b>
300mm Ø	<b>561812</b>
315mm Ø	<b>561813</b>
400mm Ø	<b>561816</b>



### Standard Range Adaptor Kits

Used for Standard Range Window models in secondary double glazing, Roof models in secondary double glazing in exposed areas and Roof models through roofs.

Adaptor kits allow units to be installed on two surfaces.

Adaptor kits consist of an additional shroud and gasket, locking ring and seal. The shroud and gasket fit to the outside part of the unit, the locking ring and seal going to the inside part.

Fitting through holes in both Fixing Plates or glass, Vent-Axia's spigot and ring method of fixing allows simple installation separately to both parts.

Colour: Ivory.

Unit size	Stock Ref
6	<b>561011</b>
7	<b>561012</b>
9	<b>561013</b>
12	<b>561014</b>



### Worm Drive Clips

Stainless steel tightening band with quick-fix screwed ends for securing flexible ducting.

Max. Ø	Stock Ref
110mm	<b>561704</b>
215mm	<b>561707</b>
270mm	<b>561710</b>
380mm	<b>561715</b>
525mm	<b>561720</b>
660mm	<b>561726</b>